

MINI PRESS GAS CHARGING KIT VLGKITAZ

Complete set for accumulator gas charging, pressure regulation
and testing.



MINI PRESS GAS CHARGING KIT VLGKITAZ

Complete set for accumulator gas charging, pressure regulation and testing.

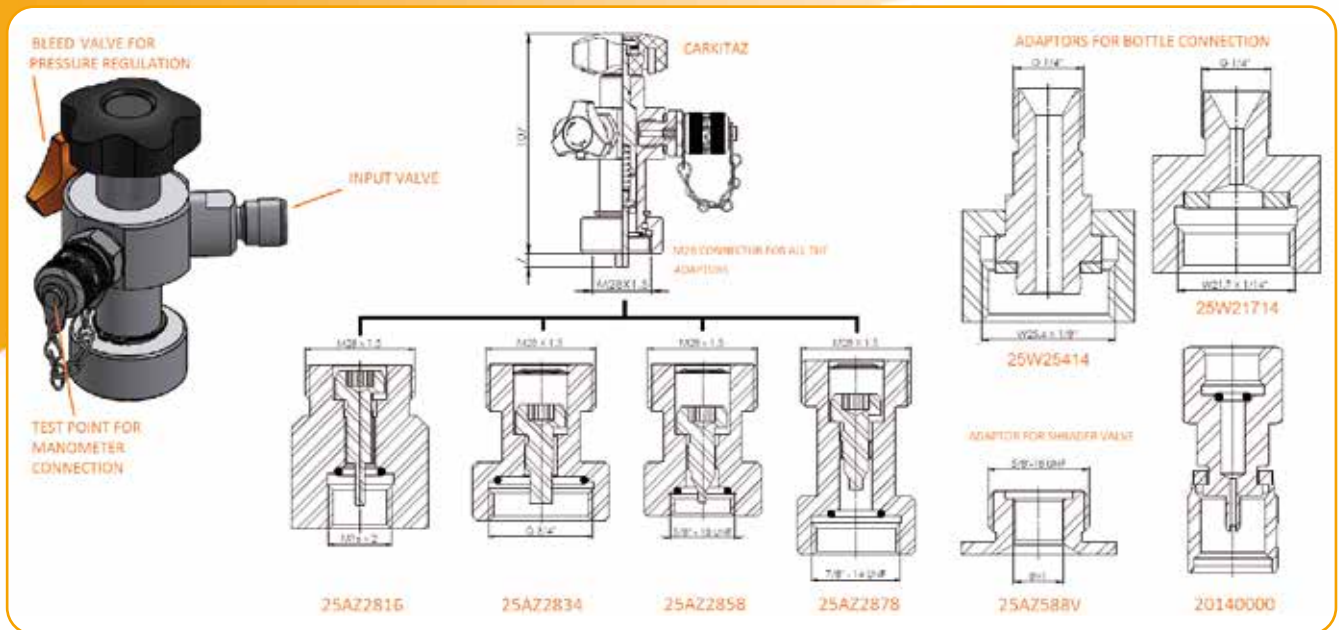


Charger Functional Characteristics

- ▶ M28 x 1.5 female connection with 4 adaptors, that allow different output (M16x2, G3/4", 5/8"-18 UNF, 7/8"-14 UNF)
- ▶ Input valve with 2.5 m charging hose (up to 400 Bar) for bottle connection and relative adaptors for 2 types bottle output (W25.4x1/8" and W21.7x1/14")
- ▶ Bleed valve for pressure adjustment
- ▶ Test coupling valve for gauge connection, with 2 gauges (0-25 Bar and 0-250 Bar) and adaptors
- ▶ Additional adaptor for Shrader valve connection
- ▶ Gasket set and 6 mm A/F Allen wrench

See below table for items codification

| Item | Mini Press code |
|--|--------------------|
| Gasket set | CUAKITAZ |
| Gauge 0-25 Bar | 063.025R |
| Gauge 0-250 Bar | 063.250R |
| 2 Direct gauge connection 1/4" - female M16x2 | 20140000 |
| Adaptor for bottle connection W25.4x1/8" | 25W25414 |
| Adaptor for bottle connection W21.7x1/14" | 25W21714 |
| Adaptor for Shrader valve (5/8" - 18 UNF / 8V1) | 25AZ588V |
| Charger | CARKITAZ |
| 6 mm A/F Allen wrench | BRUCH6 |
| Adaptor M28x1.5 - M16x2 | 25AZ2816 |
| Adaptor M28x1.5 - G 3/4" | 25AZ2834 |
| Adaptor M28x1.5 - 5/8"-18 UNF | 25AZ2858 |
| Adaptor M28x1.5 - 7/8"-14 UNF | 25AZ2878 |
| 2.5 m flexible hose (400 bar max working pressure) | RD63814038140L2500 |



MINI PRESS S.r.l.

40056 VALSAMOGGIA (BO) . ITALY . Loc. CREPELLANO . VIA G. DI VITTORIO, 1-3

TEL. +39.051.6869070 . FAX +39.051.977842 . INFO@MINIPRESS.IT . WWW.MINIPRESS.IT


MINIPRESS
DIAGNOSTIC SYSTEMS